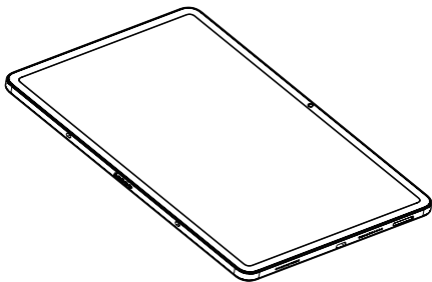


XTOOL

Self-Service Kiosk Tablet



Quick Start Guide

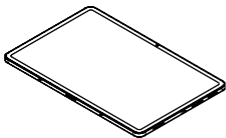
List of items — — — — — — — 01

Meet xTool Self-Service — — — 02
Kiosk Tablet

Use xTool Self-Service — — — — 04
Kiosk Tablet

Maintenance — — — — — — — 04

List of items



Self-service kiosk



Power adapter



USB-C cable



Stylus pen



Stylus pen tip

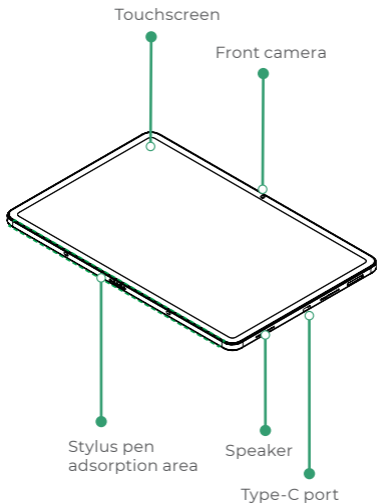


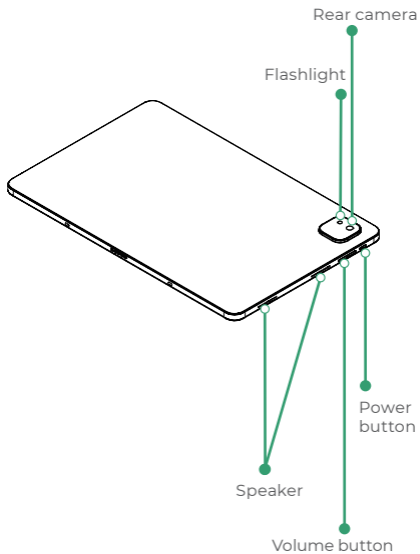
Quick start guide



Safety instructions

Meet xTool Self-Service Kiosk Tablet





Use xTool Self-Service Kiosk Tablet

Scan the QR code or visit the provided link to learn how to use the product with xTool machines for processing.

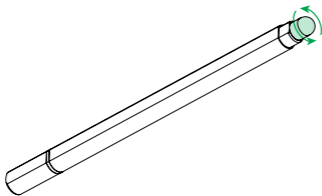


support.xtool.com/article/2085

Maintenance

Replace the stylus pen tip

If the stylus pen becomes less sensitive, it is recommended that you replace its tip. Normally, the stylus pen tip should be replaced every three months.



XTOOL