

XTOOL | SafetyPro™ AP2

Quick Start Guide



List of items - - - - - 01

Meet xTool SafetyPro™ AP2 - - - - - 01

Install xTool SafetyPro™ AP2 - - - - - 02

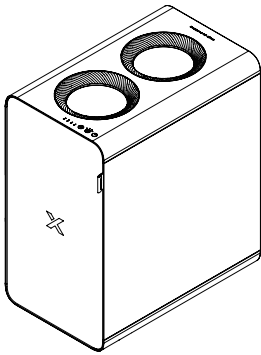
Use xTool SafetyPro™ AP2 - - - - - 07

Use with xTool software - - - - - 07

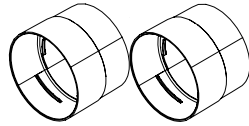
Indicator description - - - - - 08

Maintenance - - - - - 08

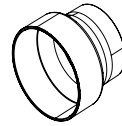
List of items



xTool SafetyPro™ AP2



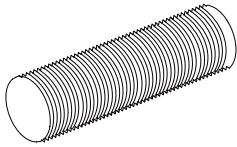
Pipe connector 1



Pipe connector 2



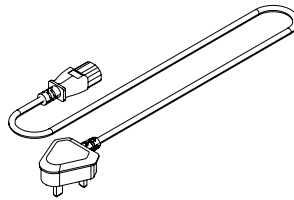
Pipe clamp



Smoke exhaust pipe



Bluetooth dongle



Power cable



Quick start guide

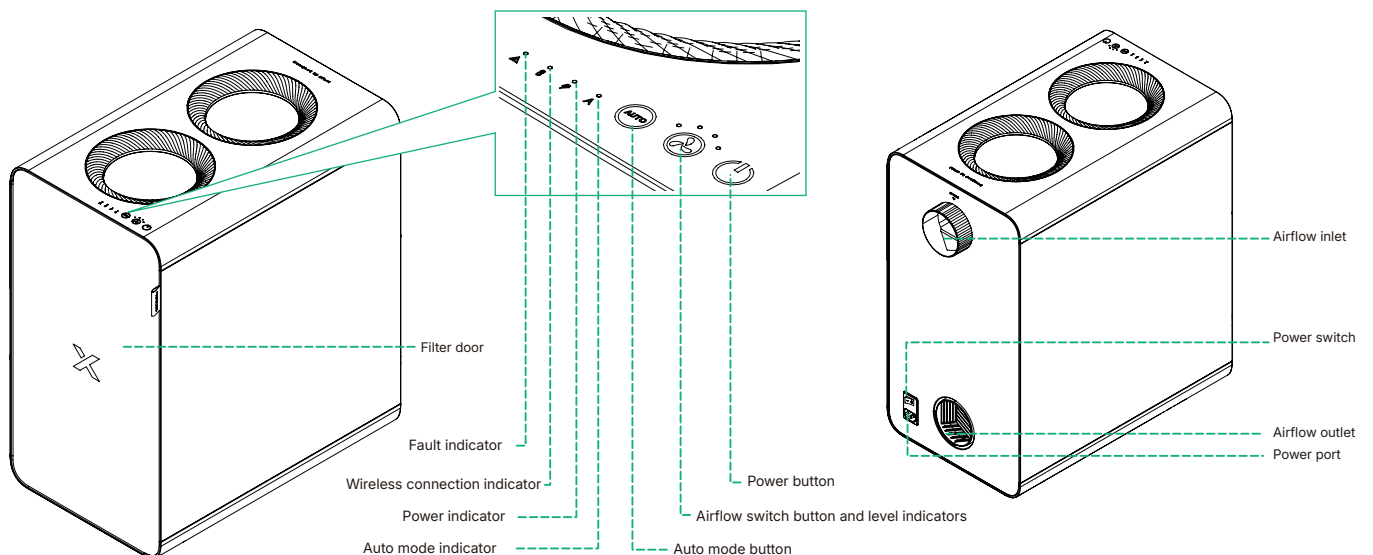


Safety instructions

Note:

- The power cable varies according to the region in which the product is delivered.
- Pipe connector 1 is compatible with xTool devices' rigid, shape-adjustable exhaust pipes with a diameter of 80 mm.
- Pipe connector 2 is compatible with xTool devices' rigid, shape-adjustable exhaust pipes with a diameter of 65 mm.

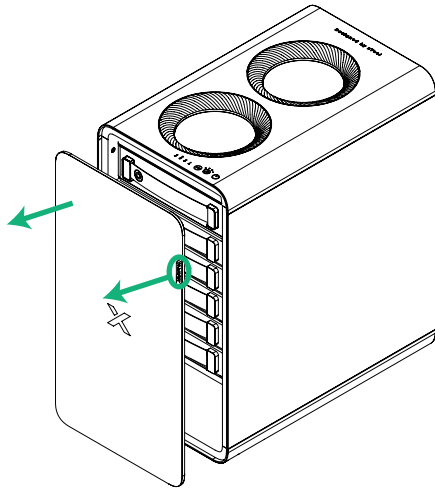
Meet xTool SafetyPro™ AP2



Install xTool SafetyPro™ AP2

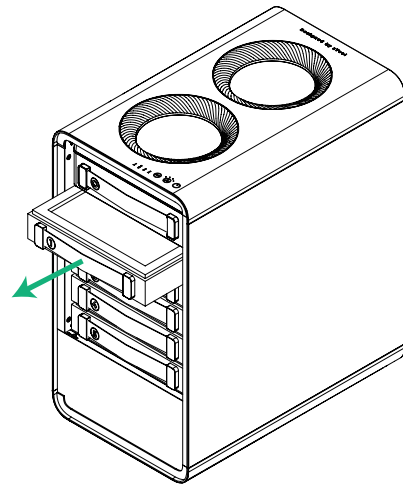
1 Install the filters

(1)



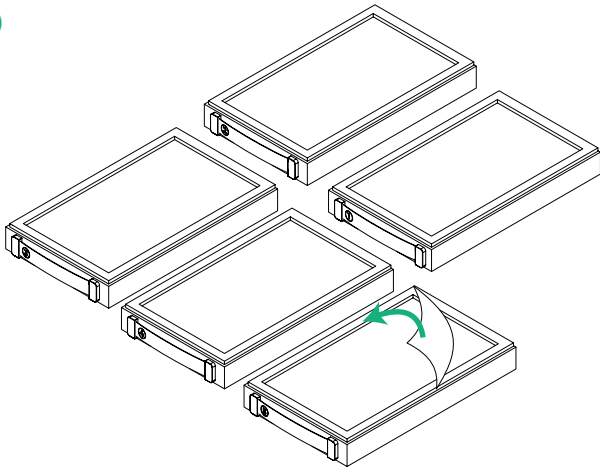
Open the door by pulling the handle.

(2)



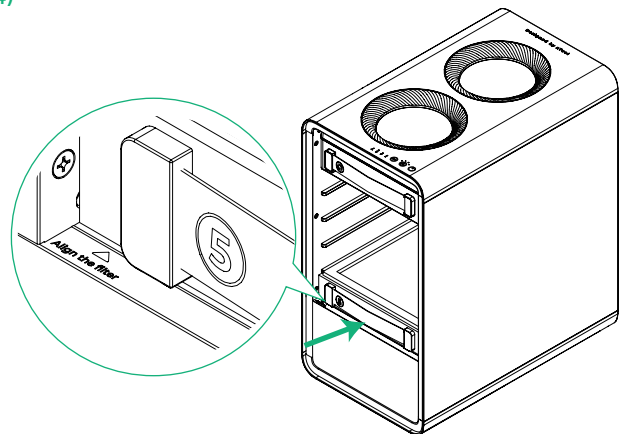
Take out the filters one by one. Do not remove the cyclone above filter 1.

(3)



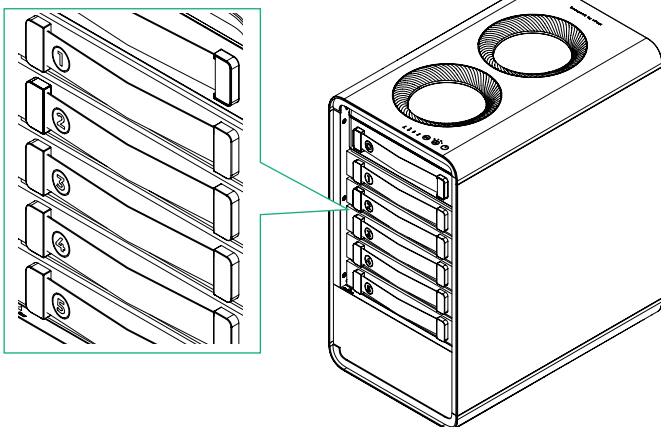
Remove the protective films off all the filters.

(4)



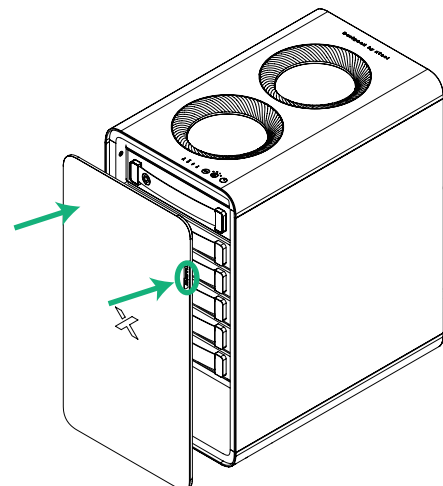
Put filter 5 back first. Ensure that you push it all the way in and that you see the filter alignment line.

(5)



Put the other four filters back in sequence. Ensure that you push them all the way in and that they align with filter 5.

(6)

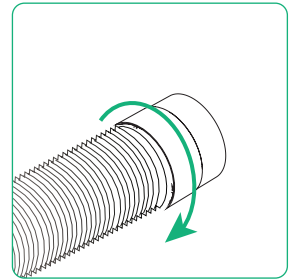
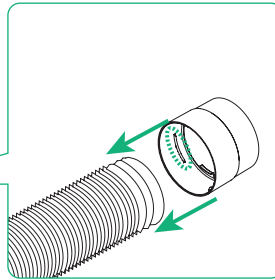
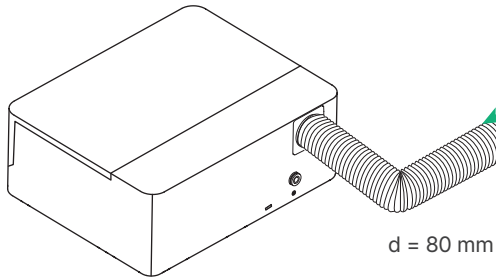
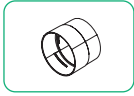


Close the door with the handle facing the upper right.

2 Connect the smoke exhaust pipe

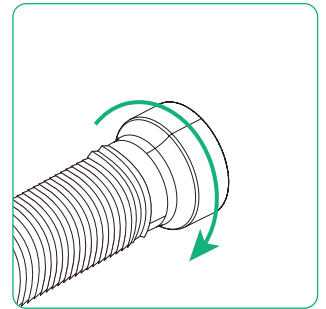
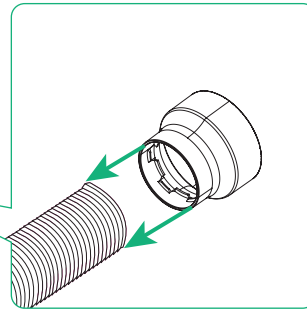
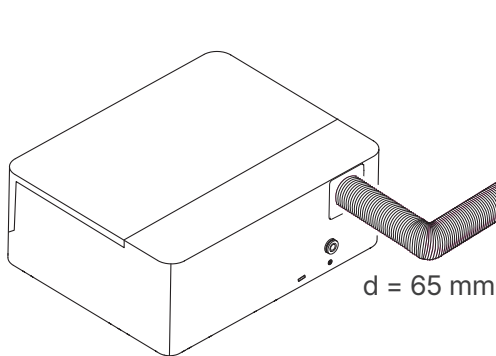
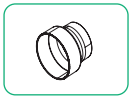
(1) Use the exhaust pipe connector to connect the device's exhaust pipe.

Scenario 1

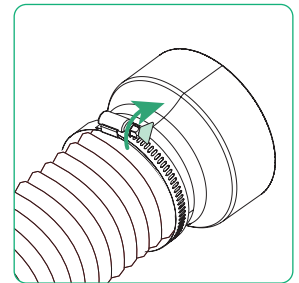
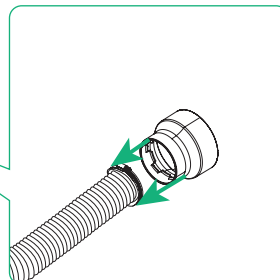
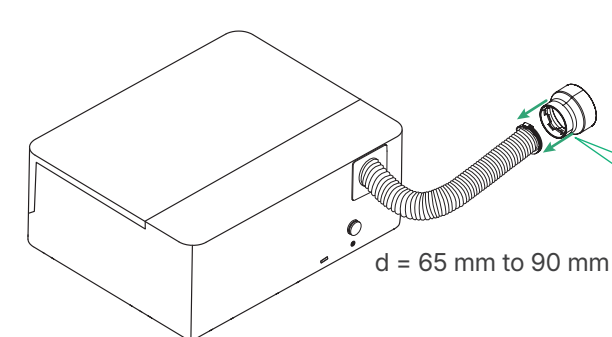
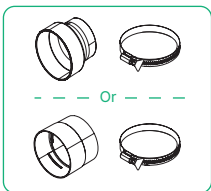


Pay attention to the thread direction of the pipe connector.

Scenario 2

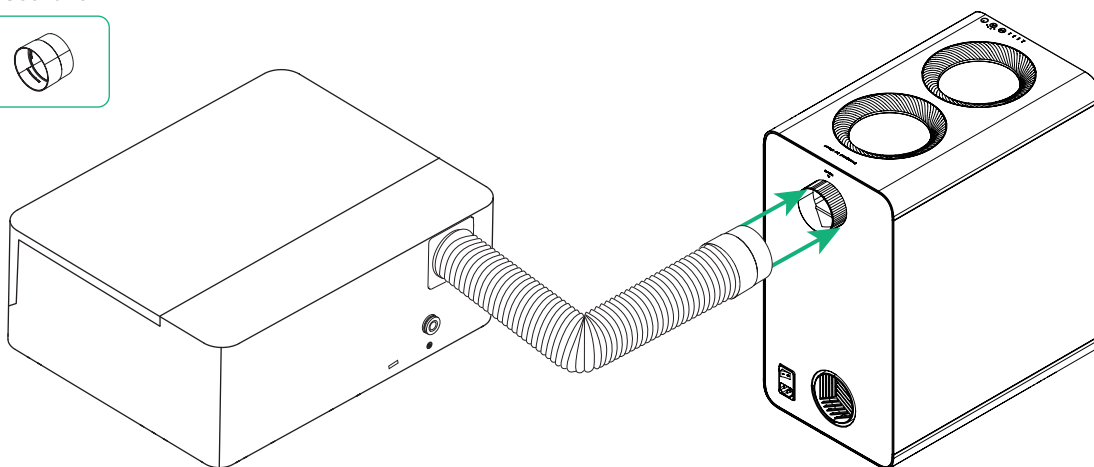
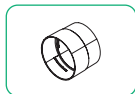


Scenario 3

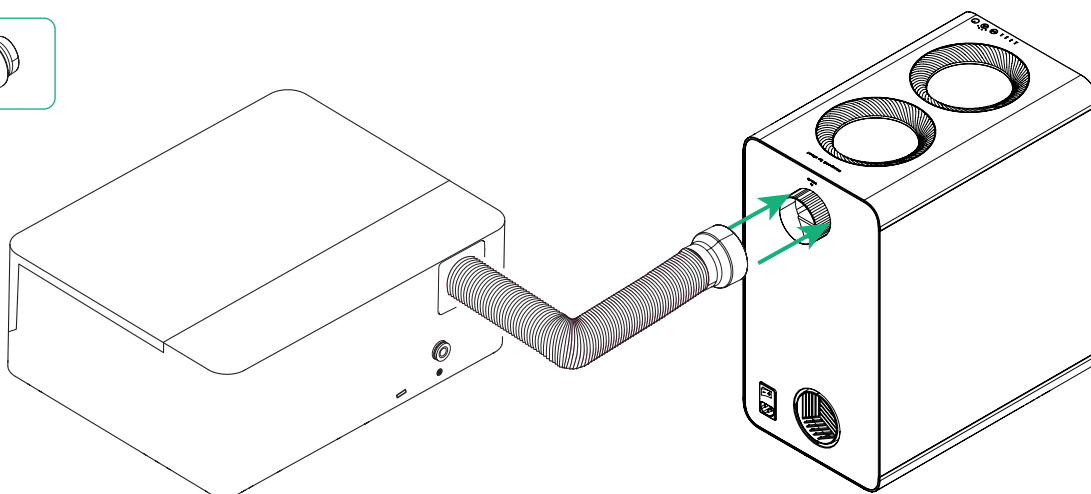
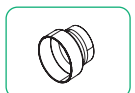


(2) Connect the device exhaust pipe to the air inlet of AP2.

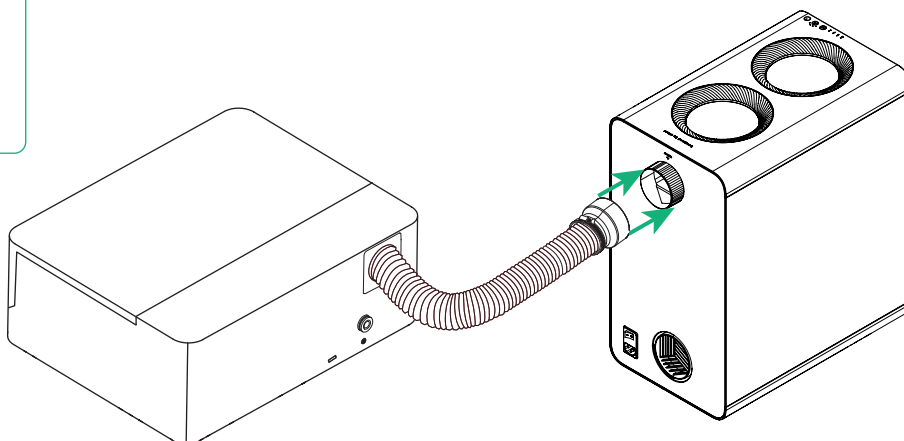
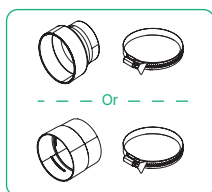
■ Scenario 1



■ Scenario 2

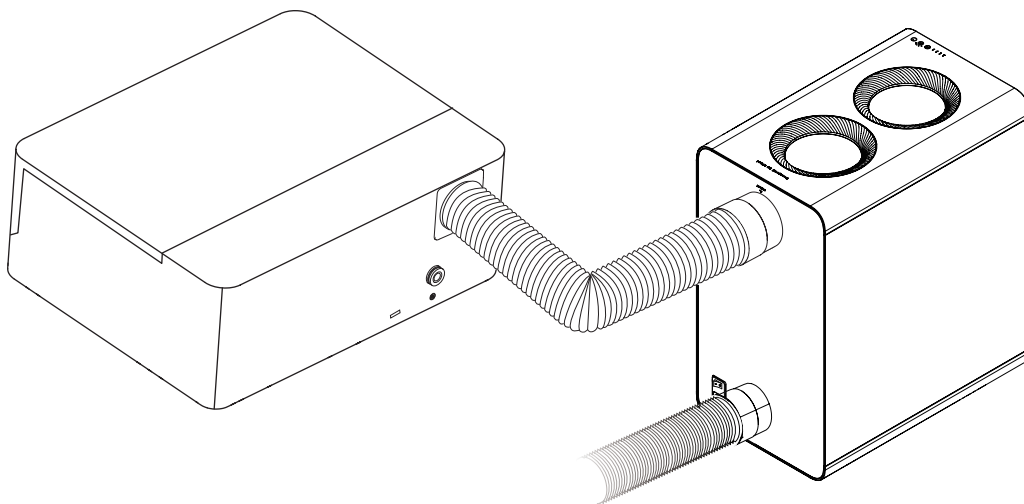
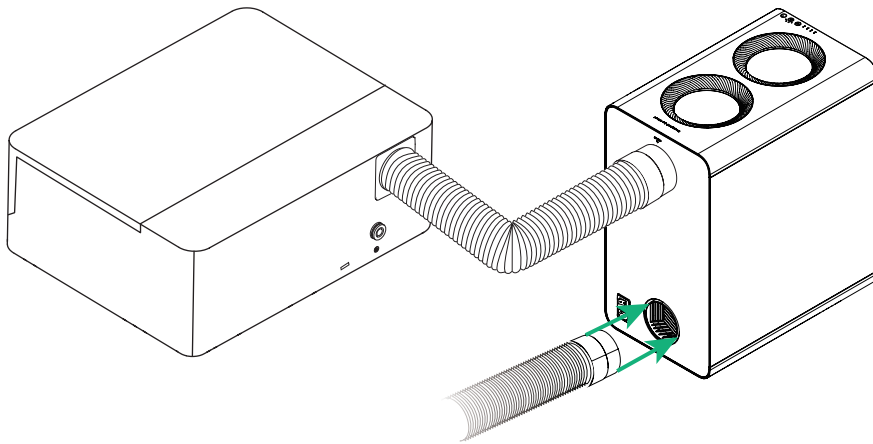


■ Scenario 3



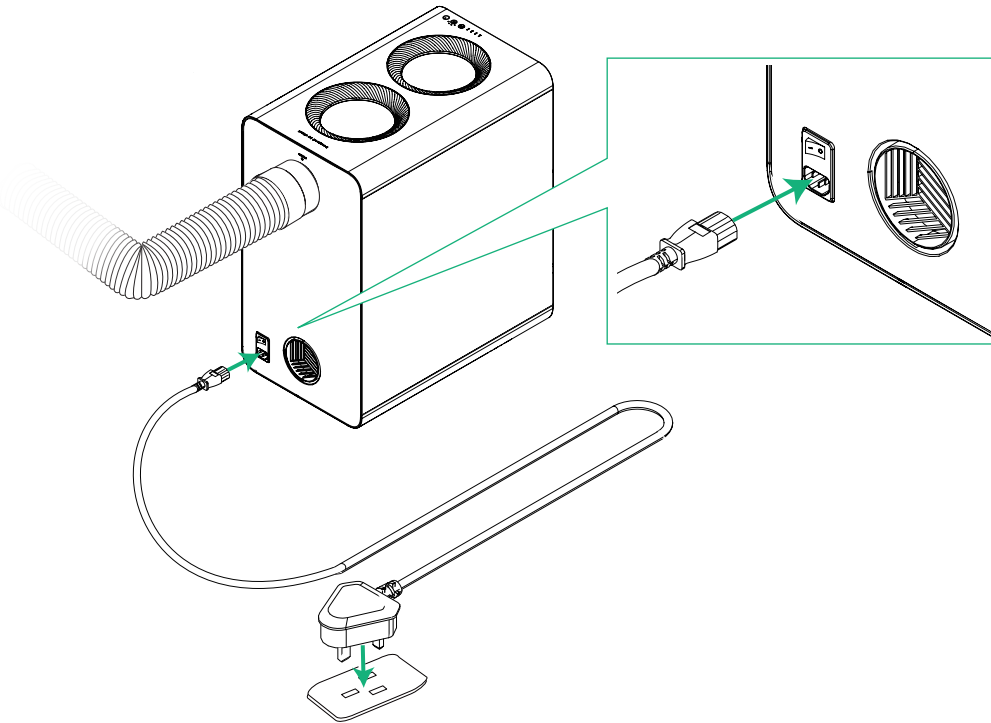
3 (Optional) Connect the smoke exhaust pipe at outlet

Perform this step if you need to exhaust the smoke of the purifier to outdoors.



Complete

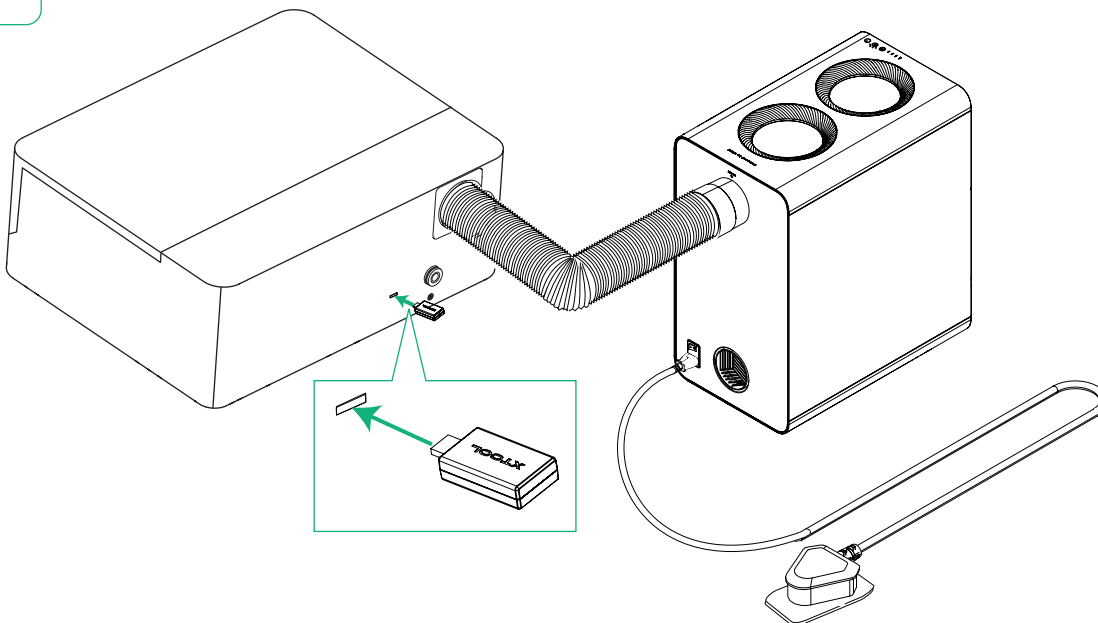
4 Connect to a power supply



5 Set up wireless connection

AP2 can establish a wireless connection only with xTool laser devices that support Bluetooth.

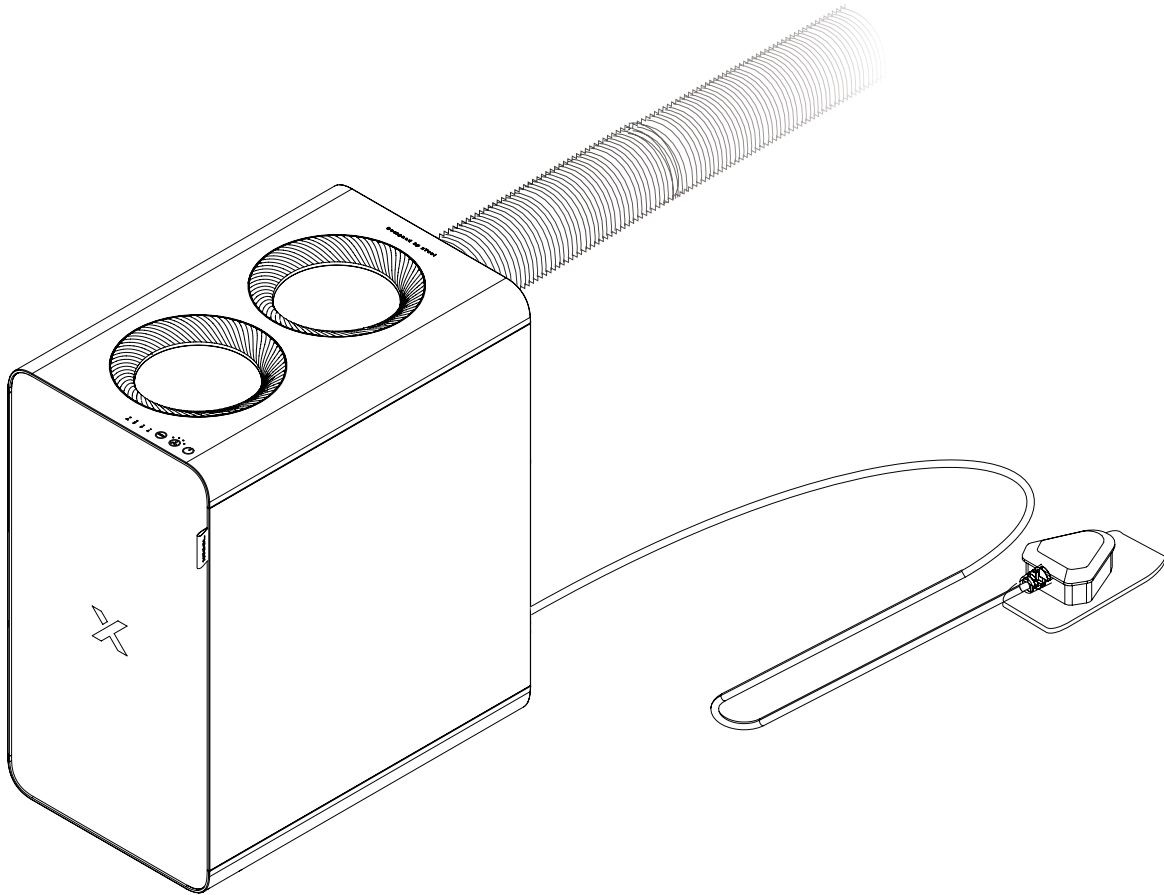
When you use AP2 with xTool laser devices with built-in Bluetooth, such as xTool F2, F2 Ultra series, or OS1 Shaker Oven, you do not need to insert a Bluetooth dongle.




■ Insert the Bluetooth dongle into the extension port of the xTool device. The preceding figure is for reference only.

■ After the Bluetooth dongle is connected, the connection between the purifier and the xTool device is automatically established. The device settings on the xTool software display information about the purifier. For more details, see "Use with xTool software."

Use xTool SafetyPro™ AP2

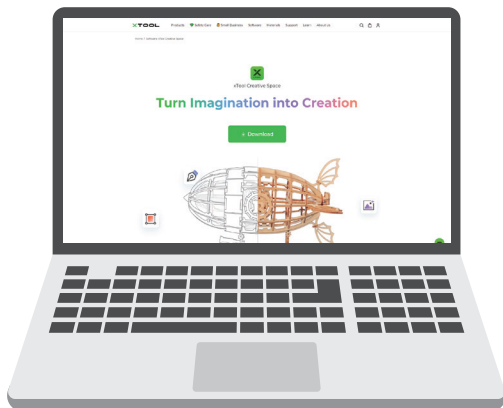


In AUTO mode, the purifier adjusts the airflow level based on processing materials. You can also press  to switch between the four levels.

Note that AUTO mode is applicable only to xTool laser devices with Bluetooth functionality.

Use with xTool software

1. Get xTool software







2. Use xTool SafetyPro™ AP2 with xTool software

support.xtool.com/article/1646

Visit s.xtool.com/software to get xTool software.

Indicator description

Indicator	Indicator status	Device status
 Power indicator	Solid blue	Connected to power
 Wireless connection indicator	Blinking blue	Connecting to the device ...
	Solid blue	Connected to the device
 Fault indicator	Solid red	<ul style="list-style-type: none"> ■ Motor blocked ■ Filter door not closed
 Auto mode indicator	Solid blue	Working in AUTO mode

Maintenance

1 Replace the filters

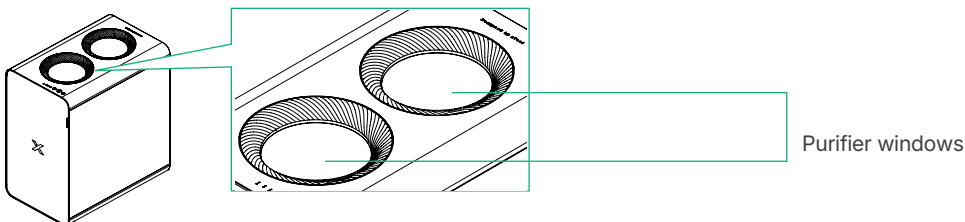
When a filter is reaching its end of life, the xTool software prompts you to purchase a new one for replacement. For steps about how to replace a filter, see "Install the filters."



You must disconnect the power cable before replacing any filter.

2 Clean the cyclone

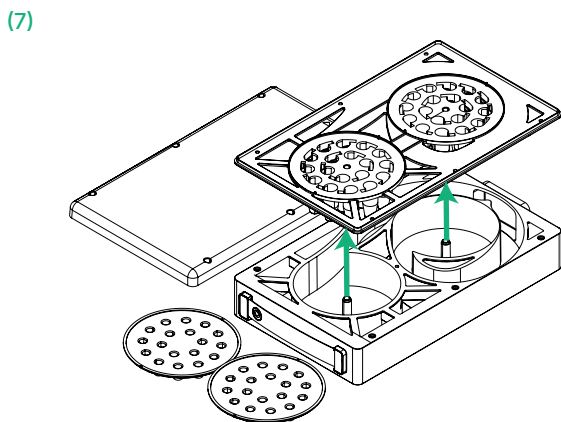
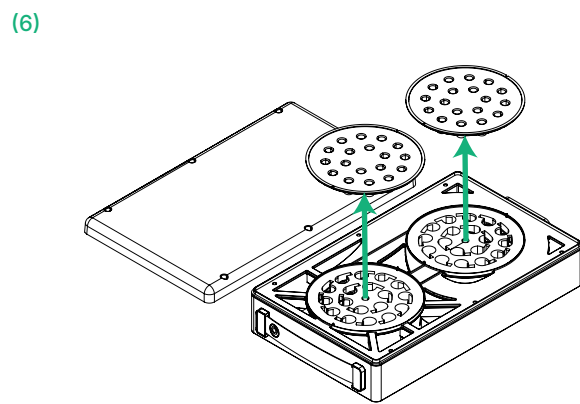
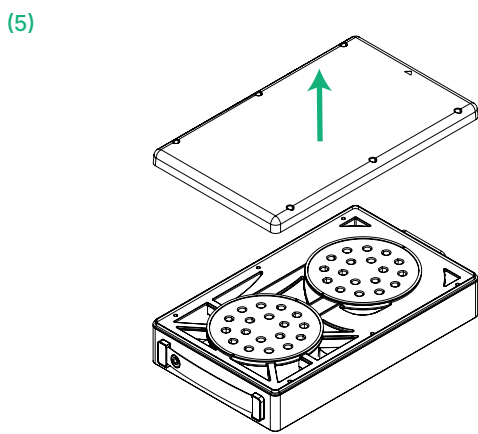
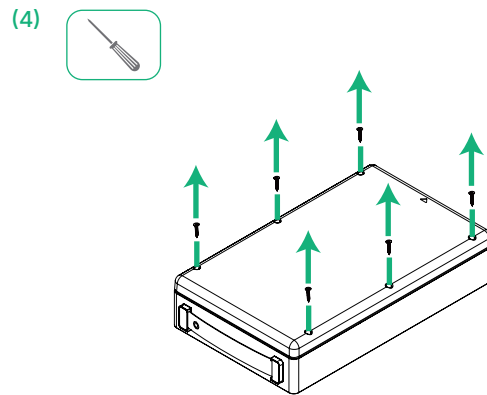
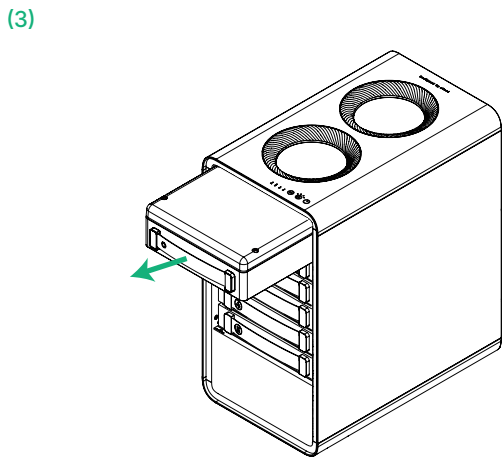
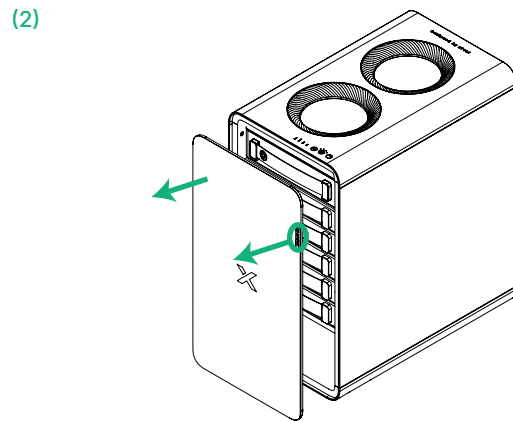
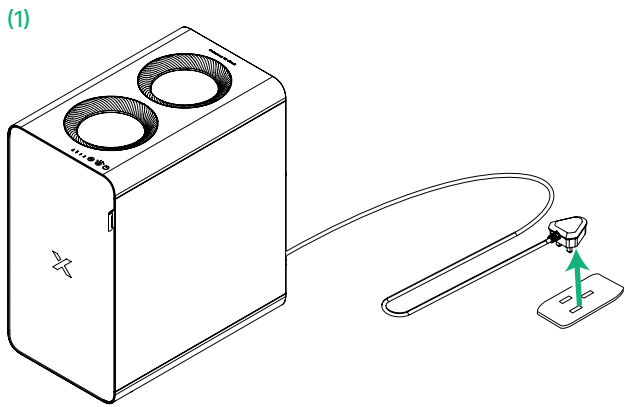
Generally, you need to clean the cyclone every 3 to 6 months. Alternatively, you can check the condition of the cyclone through the windows at the top of the purifier, and clean the cyclone as needed.



(1) Remove the cyclone

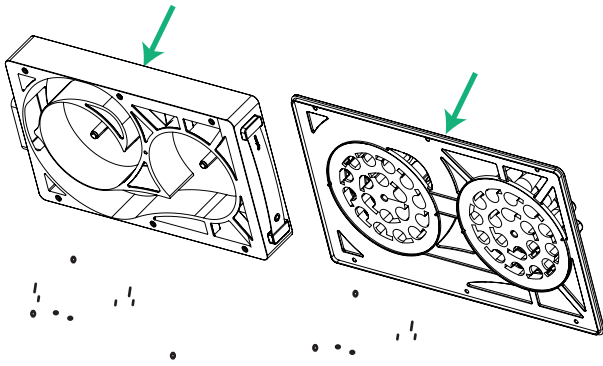


- You must disconnect the power cable before removing the cyclone.
- The screwdriver used in this section is not included in the pack.

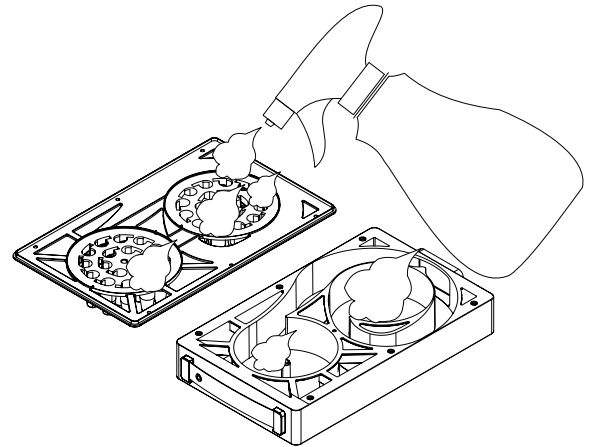


(2) Clean the cyclone

(1)

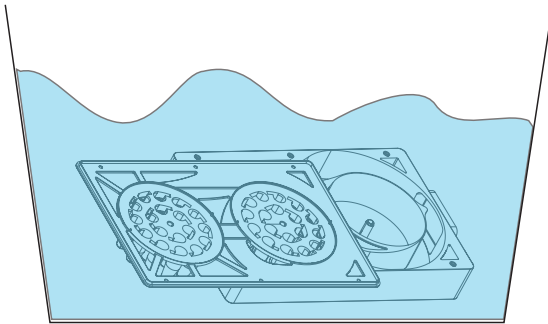


(2)



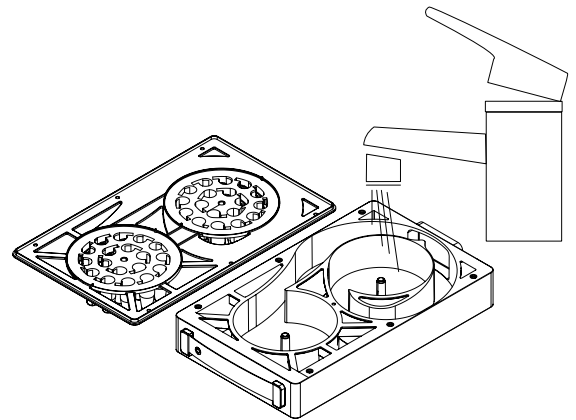
Spray with degreaser.

(3)



Soak in water for approximately 10 minutes.

(4)

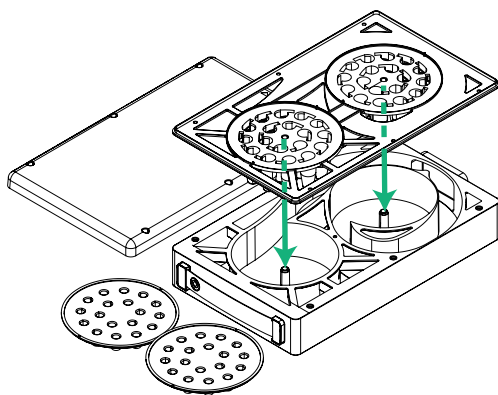


Wash with running water.

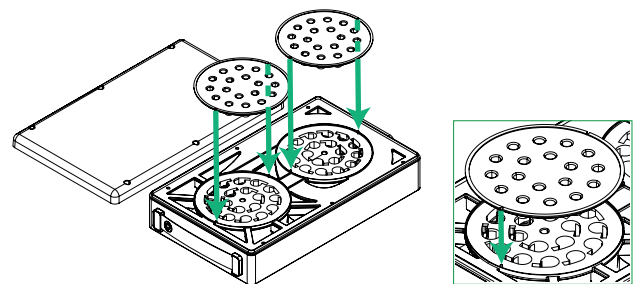
(3) Install the cyclone back

After the cyclone trays have dried, install them back in place.

(1)

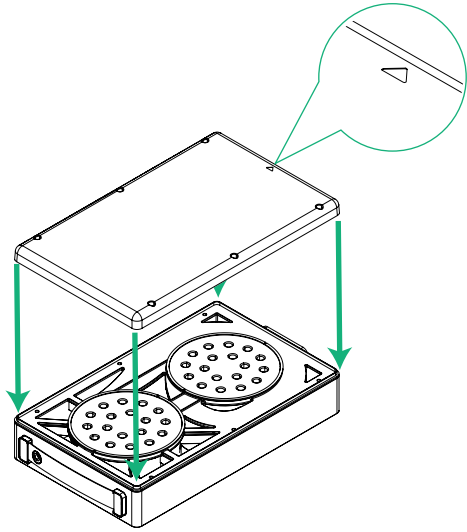


(2)

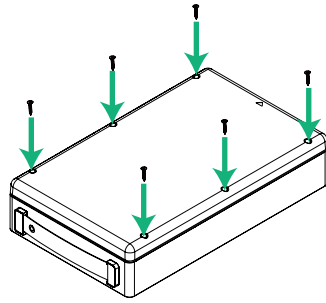


Align the notches as illustrated.

(3)

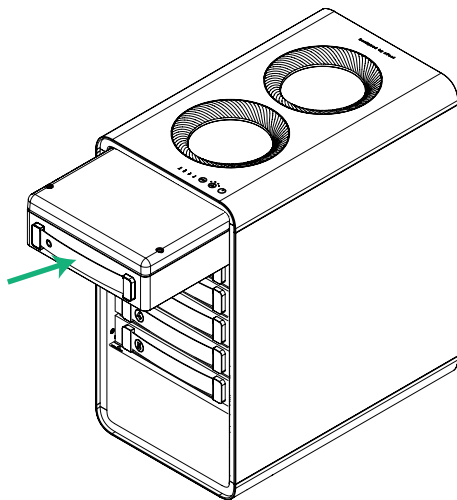


(4)

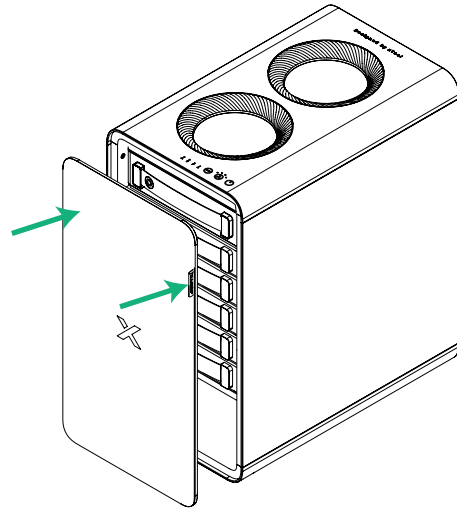


Note the direction of the cover.

(5)



(6)



XTOOL